

**Your partner in a more secure future**

**lynteck**

**MODEL: OL180**  
MOTION DETECTOR

Lynteck Ltd  
Churchill Way  
Nelson  
Lancashire  
BB9 6RT  
Technical - 0906 7112 329

**180° PIR OUTDOOR INFRARED  
MOTION SENSOR**

# Instructions

MODEL: OL180  
MOTION DETECTOR

## PLEASE READ THE FOLLOWING INSTRUCTIONS BEFORE INSTALLATION

### *Description of the operation.*

The motion detector works on Passive infrared technology. The detector will switch on the connected lights when it registers "warm movement" within its detecting range. The built in photocell prevents the detector from working in the daytime. (adjustable) Fig 2.

**Caution:** This detector must be installed by a qualified electrician. Switch off the power supply before installation to avoid electric shock.

### *The installation.*

The recommended installation height is between 2.0m and 2.5m for the best result. If you do not follow this recommendation, the function of the detector may be influenced.

- Screw the base plate of the detector on the wall with the supplied screws and wall plugs. Fig 1
- Connect the connecting cables to the terminal block according to the connection diagram. Fig 7
- Fit the detector on to the base plate and secure it with a self-tapping screw provided.
- Switch on the power and wait for about 40 seconds, the detector will be ready for the normal operation after flashing 3 times.

# Instructions

### *The operation.*

The motion detector is equipped with two adjusting knobs.

#### Setting of illumination time \*TIME\*

\* With this knob it is possible to set the light's illumination time after the last registering of movement. The time can be set from 10 seconds to 10 minutes. Turn the knob clockwise to increase the time, and anticlockwise to reduce the time Fig 2

#### Setting of the photocell (Day / Night)

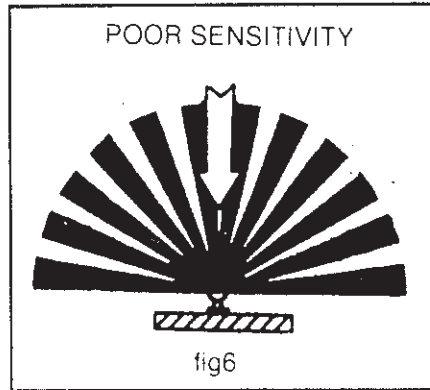
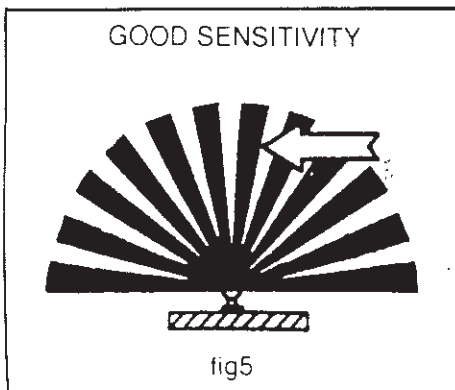
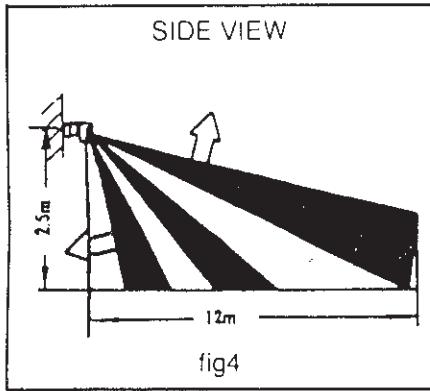
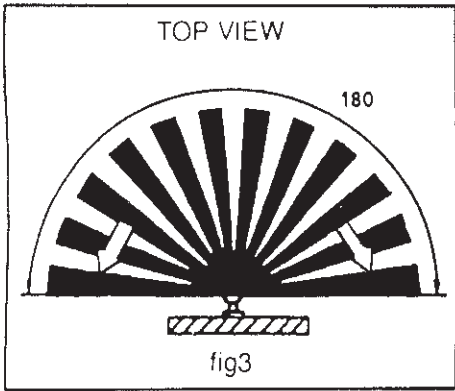
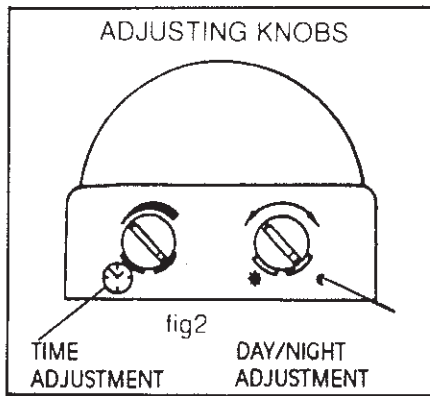
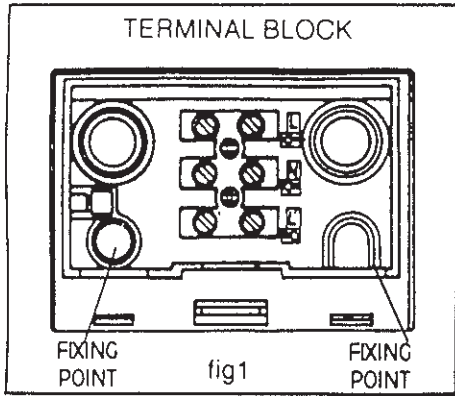
With this knob it is possible to set the detector to operate in different light conditions. Turn the knob to the moon symbol and the detector will only operate in darkness (clockwise), turn the knob to the sun symbol and the detector will operate day and night (anticlockwise).

#### Manual override

The motion detector can be manually overridden so the light can be on for a longer duration. This is achieved by switching the light switch that powers the detector off and on twice within 3 seconds, the light will then flash 3 times and then stay on for eight hours. The detector can be changed back to auto mode again by the same operation of the switch, again the light will flash 3 times and return to auto mode.

#### Detector adjustment.

The detector head of the motion detector can be adjusted 95 degrees horizontal and 65 degrees vertical by moving the head left, right, up and down. This may eliminate false activation by neighbours or passers by, outside your drive or garden area.



### CONNECTION DIAGRAM

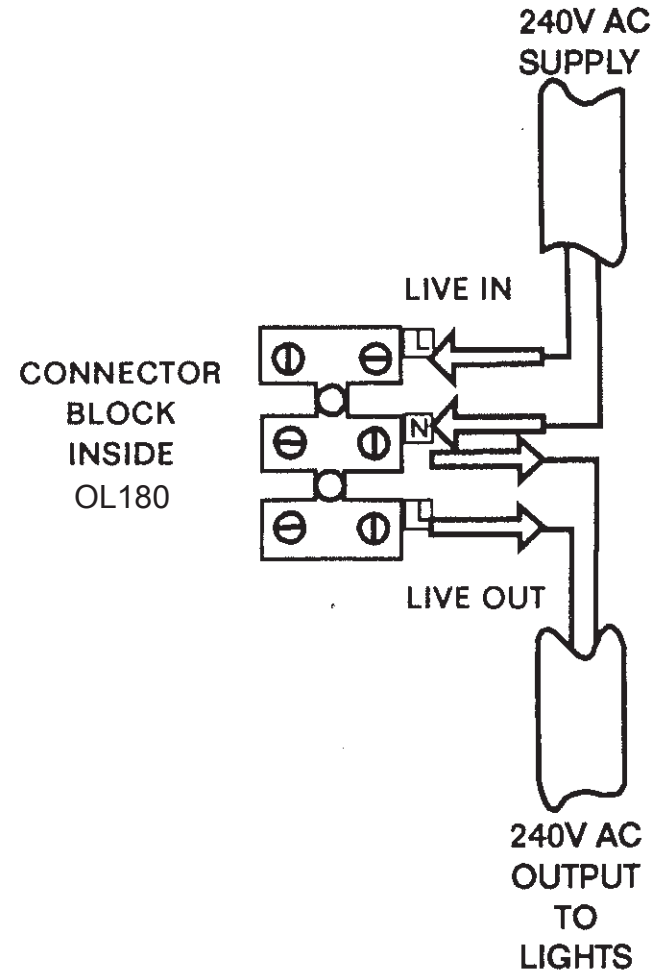


fig 7

## Troubleshooting

### **Q. No power to sensor.**

A. Has the fuse blown, or is switch in off position.

### **Q. Sensor will not operate.**

A. Has the lamp blown, is power switch in off position, if trying to operate during daylight is the adjustment pot set to moon (i.e. only operate at night)

### **Q. Sensor activating when it shouldn't.**

A. Cars in street being detected.

A. Temperature changes due to central heating outlets, car exhausts, extractor fans, rain, snow or wind.

A. Wind moving trees / washing lines / shrubs.

### **Q. Sensor switching light on and off.**

A. Light fitting too close to sensor.

A. Animals moving in detection area.

A. Wind blowing trees or washing lines.

### **Q. Sensor / light on permanently.**

A. Power switch has been operated for manual override.

A. Light fitting too close to sensor.

A. Constant movement in detection area.

If you are having any difficulty in the installation or operation of the OL180 please contact our technical help line on 0906 7112 329

## Specification

Supply voltage:	220 - 240Vac 50Hz
Switching Capacity:	1000w watt Incandescent 200watt Fluorescent
Degree of cover:	180 degree Horizontal
Detecting range:	12 metres max. Depending on mounting height and angle of head
Time Delay:	10 sec - 10 min
Light sensitivity:	30 lux (adjustable)
Protection Type:	IP44
Warranty:	2 years
Approvals:	

